

# Prima Frame

Retractor system for direct anterior approach (DAA) in hip surgery



# Prima Frame

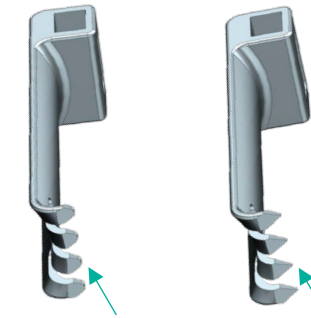
## Efficient tissue retraction and intuitive use

### Wound retractor for direct anterior approach (DAA)

The Prima Frame has been specially developed for direct anterior approach in hip surgery. It is used immediately after preparation of the surgical approach and enables **self-retaining** soft tissue retraction. This improves visibility and working conditions in the surgical field – without the need for additional staff.

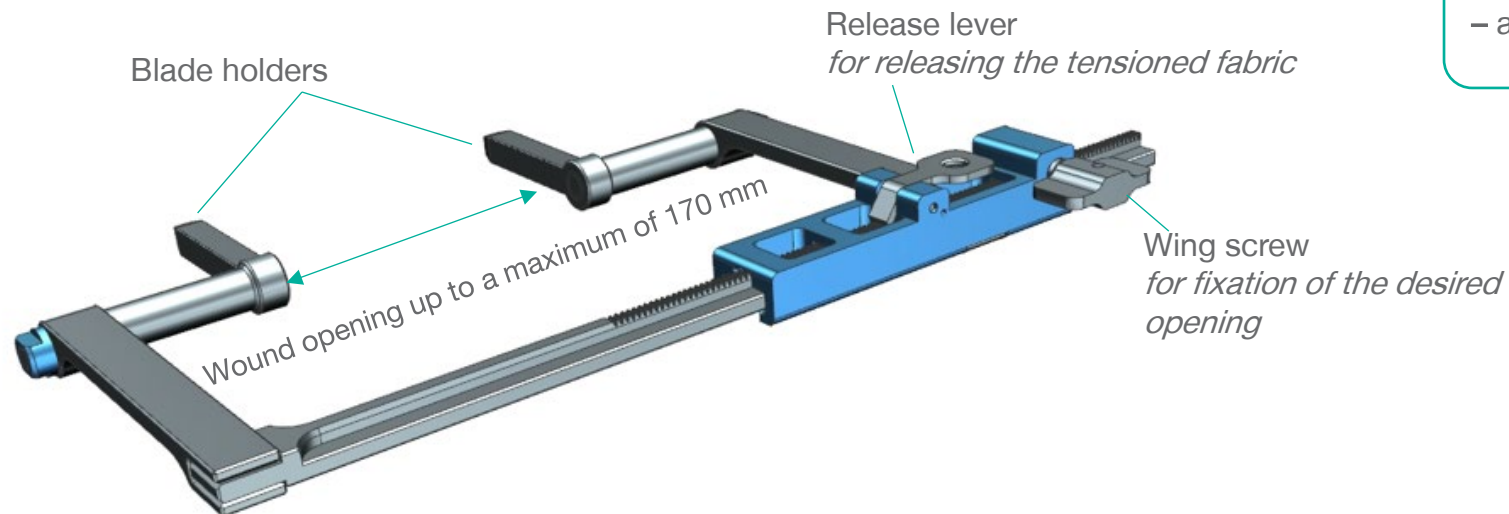
### Precision in access

The infinitely variable retraction function ensures an ideal opening of the access site. It provides excellent access to the hip area, particularly with anterior access.



Blade **blunt** vs. Blade **pointed**

Selection of Blades in 4 different lengths – available with **blunt** or **pointed teeth**.



**Material:** stainless steel  
**Weight:** 547 g  
**Length:** 265 mm x 175 mm  
Wound opening up to 170 cm

# Prima Frame

## Function & Benefits

### Handling & Safety



The system consists of just **four** individual parts and can be assembled in seconds. The Blades are simply slid onto the frame and securely fixed in place by the integrated spring mechanism.

For the procedure, the retractor frame is preassembled and set to its minimum size so that the hooks are positioned close together. It is then inserted into the surgical access and carefully expanded until the surgical field is optimally exposed..

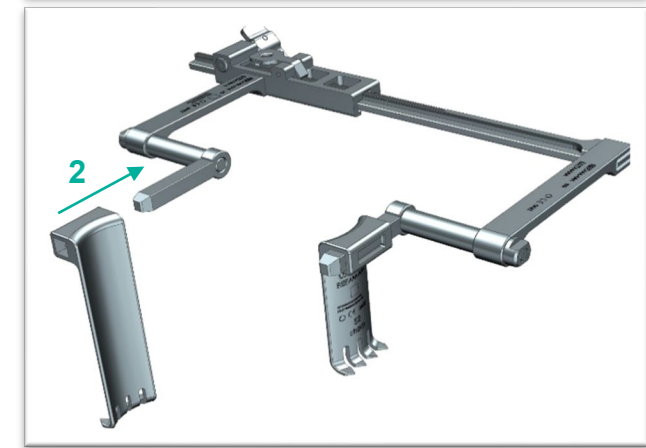
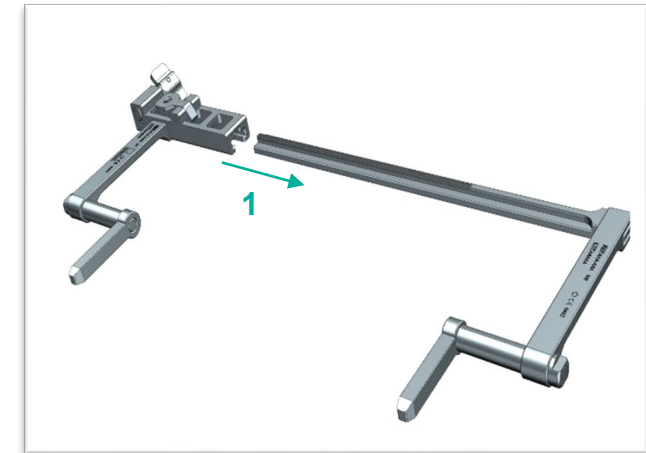
### Function & Benefits

The spreading mechanism allows for precise opening of the access site and improves access to the hip area. The surrounding tissue is protected, whilst the **self-locking**, stable design ensures safe use.

No additional surgical staff are required to hold the retractor – this significantly **reduces the workload for the entire team**.

-  For efficient procedures
-  High safety and comfort in daily surgical procedures

### Simple assembly in just **two** steps



# Prima Frame

## Product list

### Product list Prima Frame

Item No.	Description I	Description II
437-121	Prima Frame	Direct Anterior Approach Retractor (DAA)
437-122	Prima Frame Blade 52 mm	pointed
437-123	Prima Frame Blade 65 mm	pointed
437-124	Prima Frame Blade 78 mm	pointed
437-125	Prima Frame Blade 90 mm	pointed
437-126	Prima Frame Blade 52 mm	blunt
437-127	Prima Frame Blade 65 mm	blunt
437-128	Prima Frame Blade 78 mm	blunt
437-129	Prima Frame Blade 90 mm	blunt

Can be adapted to your corporate design:

✓ Your own logo



437-121 Prima Frame

52 mm 65 mm 78 mm 90 mm



437-122 to 437-125 Blade pointed

*Not shown*

437-126 to 437-129 Blade blunt

# Contact & Ordering



+49 3385 5420 0



sales@ohst.de



OHST Medizintechnik AG  
Grünauer Fenn 3  
14712 Rathenow  
Germany

